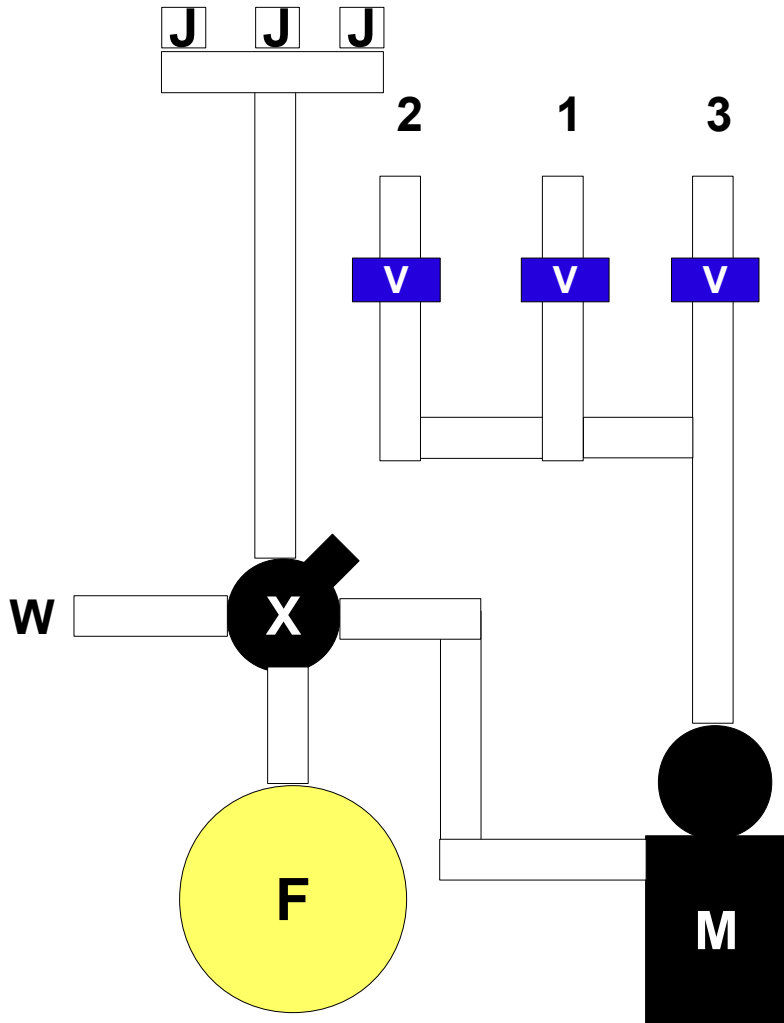




# Generic Swimming Pool Fact Sheet / Información genérica de la piscina

[www.atyourservice.es](http://www.atyourservice.es)



## Functions / Funciones:

### Filter / Filtrar

Valve 1	Valve 2	Valve 3	Valve X
Open	Open	Closed	FILTER

### Vacuuming Pool / Pasar la aspiradora

Valve 1	Valve 2	Valve 3	Valve X
Closed	Closed	Open	FILTER / WASTE

### Wash Filter / Lavado del filtro

Valve 1	Valve 2	Valve 3	Valve X
Open	Closed	Closed	BACKWASH

### Rinse Filter / Enjuague del filtro

Valve 1	Valve 2	Valve 3	Valve X
Open	Closed	Closed	RINSE

### Important

All operations with Valve X must be performed with Pump turned off.

### Muy Importante

Todas las operaciones a realizar en la valvula X se haran a bomba parada.

**Key:** F – Filter / Filtro  
 X – Distribution Valve / Valvula de Distribucion  
 M – Pump / Bomba  
 V – Valves / Valvulas  
 J – Jets / Chorros  
 W – Waste outlet / Punto de vaciado  
 V1 = Main Drainage Outlet / Punto principal desagüe,  
 V2 = Skimmers V3 = Vacuum port, Punto de connexion de aspiradora